

101
102
103
104
105
106
107
108
109
110
111
112
113
114
115
116
117
118
119
120
121
122
123
124
125
126
127
128
129
130
131
132
133
134
135
136
137
138
139
140
141

A
B
C
D
E
F
G
H
J
K

* - INDICATES COMPONENTS NOT SUPPLIED BY YASKAWA.
 - - INDICATES CUSTOMER WIRING.
 SEE DRAWING UDE00390 FOR CUSTOMER CONNECTION TABLES.
 SEE DRAWING UDE00392 FOR DRIVE PARAMETER SETTINGS.

- NOTES:
- CONNECTED TO THE CABINET. CUSTOMER TO CONNECT THE CABINET GROUND LUGS TO EARTH GROUND AND UTILITY GROUND.
 - CONDUIT FITTINGS/HUBS SHALL COMPLY WITH THE 'STANDARD FOR CONDUIT, TUBING, AND CABLE FITTINGS, UL 514B'. OR CONDUIT FITTINGS HAVING THE SAME ENVIRONMENTAL RATING AS THE ENCLOSURE SHALL BE USED.
 - WITHOUT THE CIRCUIT BREAKER (OPTION PC OR PE), OR DISCONNECT SWITCH OPTION PD, THE DISCONNECT MEANS MUST BE SUPPLIED BY THE CUSTOMER.
 - BRANCH CIRCUIT PROTECTION TO BE SUPPLIED BY THE CUSTOMER WHEN NOTED ON THE CABINET DATA NAMEPLATE.
 - INSULATED TWISTED SHIELDED WIRE IS REQUIRED. SHIELD TO CONNECT TO PROPER TERMINALS AS SHOWN. CONNECT THE SHIELD ONLY AT THIS END. STUB AND ISOLATE THE OTHER END. DO NOT RUN THESE WIRES IN THE SAME CONDUIT AS THE AC POWER AND AC CONTROL WIRES. KEEP ALL WIRING UNDER 50m IN LENGTH.
 - CUSTOMER TO ADJUST THE THERMOSTAT ON THE SPACE HEATER HR1 FOR THE MINIMUM DESIRED TEMPERATURE INSIDE THE DRIVE CABINET. THIS SET TEMPERATURE IS NORMALLY SELECTED TO BE SLIGHTLY HIGHER THAN THE MINIMUM AMBIENT TEMPERATURE OF THE AIR SURROUNDING THE CABINET, AND IS THE TEMPERATURE AT WHICH THE SPACE HEATER HR1 WILL SHUT OFF.
 - FOR A CONTROL TRANSFORMER T1 POWER RATING OF 350VA OR GREATER, SECONDARY FUSE F6 IS ADDED.
 - IF AC MOTOR IS FURNISHED WITH A N.C. THERMAL SWITCH THEN SET DRIVE PARAMETER H1-08 TO 27. THIS WILL CAUSE THE DRIVE TO COAST TO STOP UPON AN AC MOTOR THERMAL FAULT. ALONG WITH THIS, ADD THE FOLLOWING CUSTOMER WIRING: WIRE THE N.C. THERMAL SWITCH BETWEEN DRIVE TERMINALS S8 AND SN, AS PER NOTE 5 ABOVE.
 - OPTIONS TD, TG, TH, TJ, TL, TQ OR TU CONTROL (SEE UDE00392 FOR MORE INFORMATION)
 - CUSTOMER TO REPLACE THE JUMPER WITH NORMALLY CLOSED SAFETY INTERLOCKS, IF APPLICABLE.

REVISIONS				DATE	TITLE
REV.	DESCRIPTION	ECO #	DRAWN BY	DATE	THIS DOCUMENT AND INFORMATION CONTAINED IN IT ARE CONFIDENTIAL, AND CANNOT BE COPIED OR DISCLOSED IN WHOLE OR IN PART WITHOUT THE EXPRESS WRITTEN CONSENT OF YASKAWA AMERICA INC.
08	ADD OPTION P9 SURGE SUPPRESSOR	8264	RCR	01/08/18	APPROVED: K. FLIERL
07	DELETED WIRE NO'S 1L1 AND 1L2 TO F1 AND F2	7812	NSL	04/07/17	ORIGINAL DESIGN: D.R. CMELAK
06	ADD K5 TO HOA W/T6 & SERIAL COMMS	7217	MDK	06/29/16	DATE: 11/16/12

YASKAWA

DRAWN BY: D.R. CMELAK
 CHECKED: D. PACKER
 TECH: []

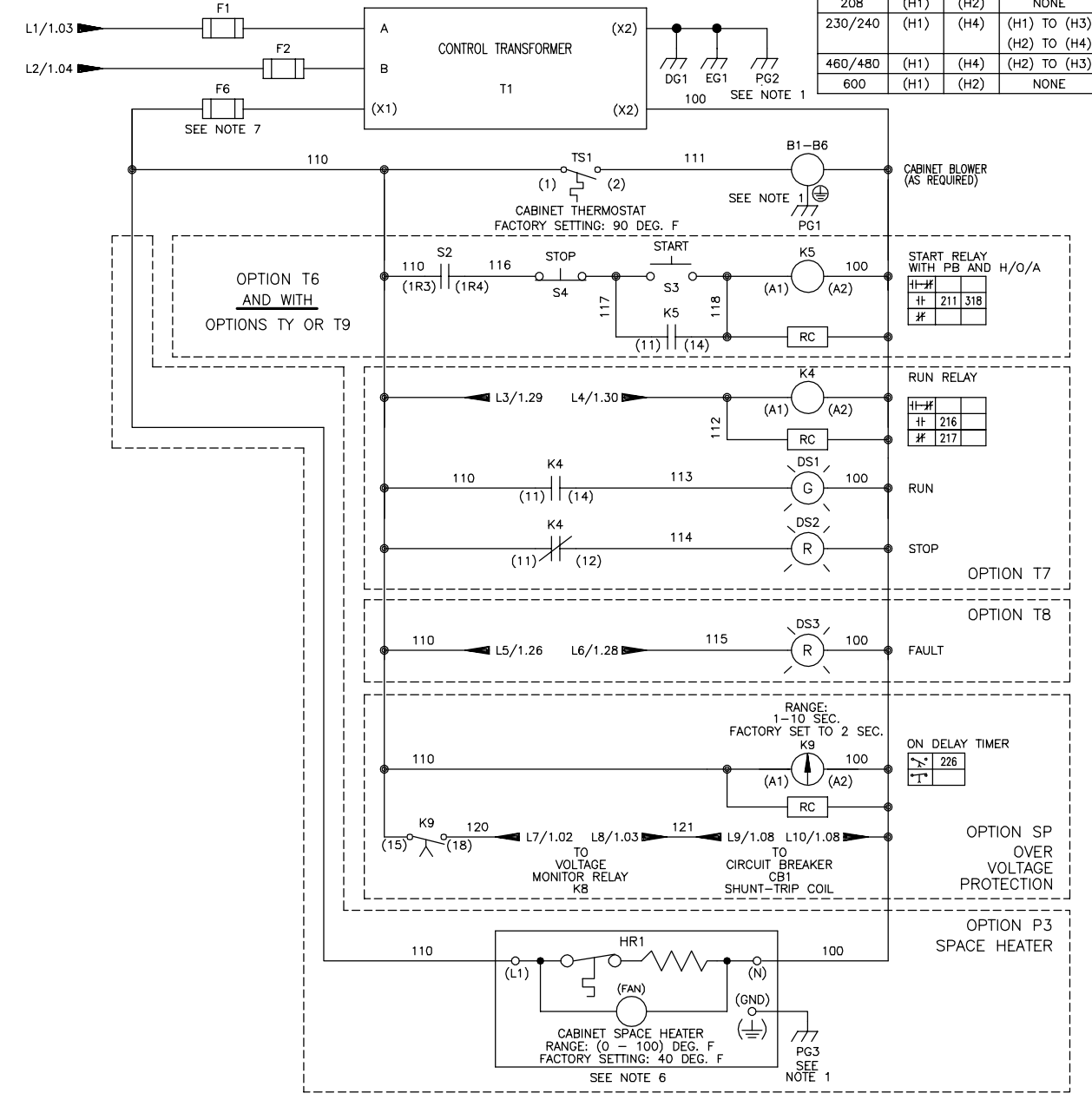
DATE: 11/16/12
 DATE: 11/16/12
 DATE: 11/16/12

TITLE: SCHEMATIC DIAGRAM IQPUMP1000 CONFIGURED TYPE 3R

SIZE: D
 REVISION: 08
 PAGE: 1 of 3

DRAWING #: DS.Q1C3R.01

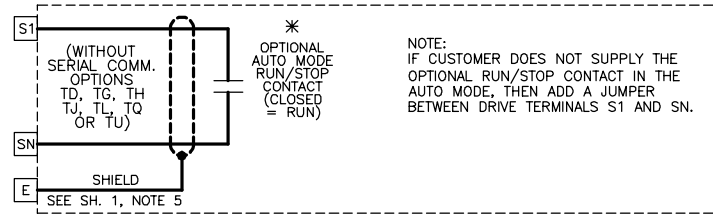
INPUT VOLTS	TERMINALS		JUMPER LOCATION
	A	B	
208	(H1)	(H2)	NONE
230/240	(H1)	(H4)	(H1) TO (H3) (H2) TO (H4)
460/480	(H1)	(H4)	(H2) TO (H3)
600	(H1)	(H2)	NONE



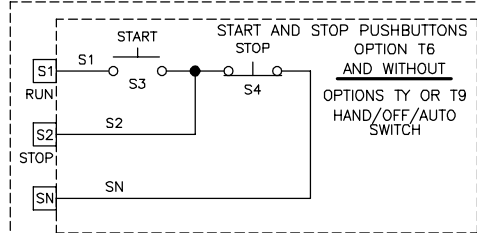
SEE SHEET 1 FOR NOTES.

YASKAWA	DRAWN BY:	D.R. CMELAK	DATE:	11/16/12	TITLE:	SCHEMATIC DIAGRAM		
	CHECKED:	D. PACKER	DATE:	11/16/12		IQPUMP1000 CONFIGURED TYPE 3R		
THIS DOCUMENT AND INFORMATION CONTAINED IN IT ARE CONFIDENTIAL, AND CANNOT BE COPIED OR DISCLOSED IN WHOLE OR IN PART WITHOUT THE EXPRESS WRITTEN CONSENT OF YASKAWA AMERICA INC.	TECH:		DATE:		SIZE:	REVISION:	PAGE:	
	APPROVED:	K. FLIERL	DATE:	11/16/12	D	08	2 of 3	
	ORIGINAL DESIGN:	D.R. CMELAK	DATE:	11/16/12	DRAWING #:	DS.Q1C3R.01		

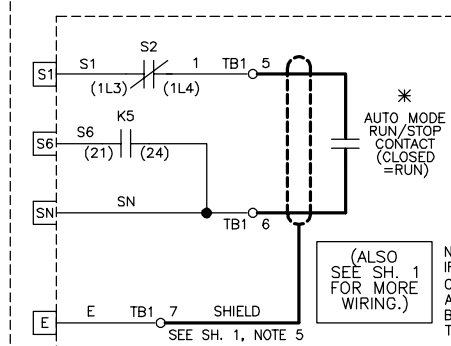
301 RUN/STOP CONTROL (FROM SHEET 1)



OR



OR

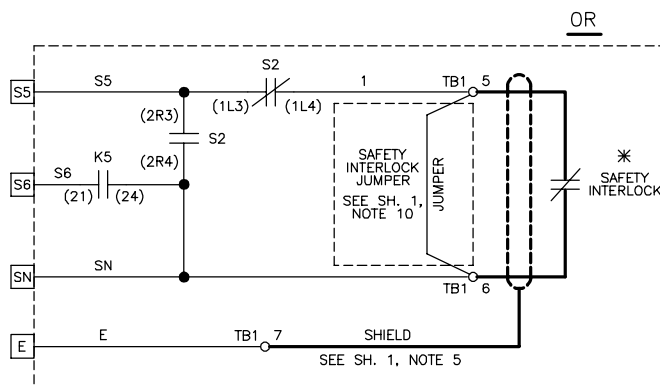


CONTACT SEQUENCE CHART FOR S2
X - INDICATES CONTACT CLOSED

CONTACT	POSITION			MANUF. LOCATION /TYPE
	HAND	OFF	AUTO*	
1	X			1RO
2			X	1LO

* SCHEMATIC SHOWS THIS POSITION.

OPTION T6
START AND STOP PUSHBUTTONS
AND WITH
OPTION TY, OR PART OF OPTION T9
HAND/OFF/AUTO SWITCH



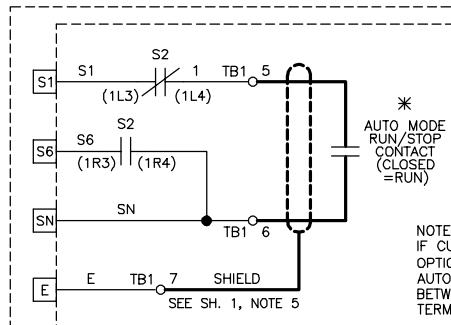
CONTACT SEQUENCE CHART FOR S2
X - INDICATES CONTACT CLOSED

CONTACT	POSITION			MANUF. LOCATION /TYPE
	HAND	OFF	AUTO*	
1	X			1RO
2			X	1LO
3	X			2RO

* SCHEMATIC SHOWS THIS POSITION.

OPTION TY, OR PART OF OPTION T9
HAND/OFF/AUTO SWITCH
AND WITH T6
OPTIONS TD, TG, TH, TJ, TL, TQ OR TU
SERIAL COMMUNICATIONS

OR



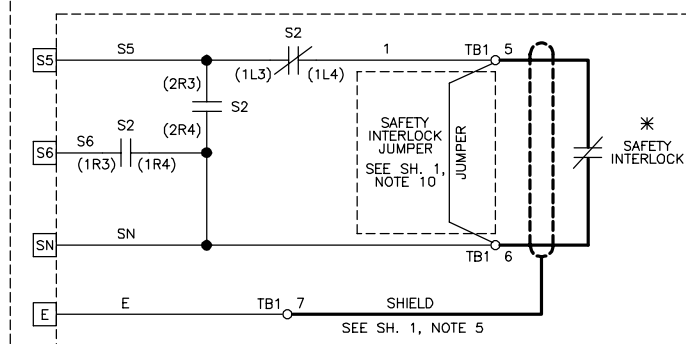
CONTACT SEQUENCE CHART FOR S2
X - INDICATES CONTACT CLOSED

CONTACT	POSITION			MANUF. LOCATION /TYPE
	HAND	OFF	AUTO*	
1	X			1RO
2			X	1LO

* SCHEMATIC SHOWS THIS POSITION.

OPTION TY, OR PART OF OPTION T9
HAND/OFF/AUTO SWITCH
AND WITHOUT
OPTIONS TD, TG, TH, TJ, TL, TQ OR TU
SERIAL COMMUNICATIONS

OR



CONTACT SEQUENCE CHART FOR S2
X - INDICATES CONTACT CLOSED

CONTACT	POSITION			MANUF. LOCATION /TYPE
	HAND	OFF	AUTO*	
1	X			1RO
2			X	1LO
3	X			2RO

* SCHEMATIC SHOWS THIS POSITION.

OPTION TY, OR PART OF OPTION T9
HAND/OFF/AUTO SWITCH
AND WITH
OPTIONS TD, TG, TH, TJ, TL, TQ OR TU
SERIAL COMMUNICATIONS

SEE SHEET 1 FOR NOTES.

YASKAWA <small>THIS DOCUMENT AND INFORMATION CONTAINED HEREIN ARE CONFIDENTIAL, AND CANNOT BE COPIED OR DISCLOSED IN WHOLE OR IN PART WITHOUT THE EXPRESS WRITTEN CONSENT OF YASKAWA AMERICA INC.</small>	DRAWN BY: D.R. CMELAK	DATE: 11/16/12	TITLE: SCHEMATIC DIAGRAM IQPUMP1000 CONFIGURED TYPE 3R	
	CHECKED BY: D. PACKER	DATE: 11/16/12	SIZE: D	REVISION: 08
	APPROVED BY: K. FLIERL	DATE: 11/16/12	PAGE: 3 of 3	
	ORIGINAL DESIGN: D.R. CMELAK	DATE: 11/16/12	DRAWING #: DS.Q1C3R.01	